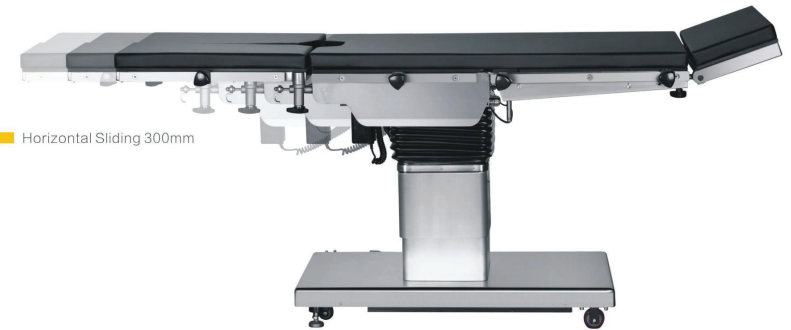


## Electric Operating Table

### ET300C

ET300C can meet various requirements from all departments surgery. Extra wide tabletop, long horizontal sliding that can be suitable for both X-ray and C-arm use. Adopted micro touch remote control that enables flexible and smooth adjustments on head plate, back plate and seat plate. With built-in kidney bridge. High automation, low noise, high reliability. Key parts adopted imported ones, can be regarded as an ideal electric operating table.



■ Horizontal Sliding 300mm

Model	Site	Length	Width	Tabletop lowest height	Elevation range
ET300C		≥2070mm	550mm	≤700mm	300mm

**PARAMETER** ET300C Electric Operating Table

Movements		Model:ET300C
Tabletop trendelenburg	Reverse Trendelenburg	≥25°
	Trendelenburg	≥25°
Lateral Tilt (Left And Right)		≥15°
Head plate	Up	≥45°
	Down	≥90°
Back plate	Up	≥75°
	Down	≥20°
Leg plate	Up	≥15°
	Down	≥90°
	Outward	≥90°
Kidney Bridge Up		≥120mm
Horizontal sliding		≥300mm

